



# TS4-A-F

## Module-level PV Rapid Shutdown

The TS4-A-F (Fire Safety) is the advanced add-on rapid shutdown solution that brings smart module functionality to standard PV modules for higher reliability. Ensure safety by upgrading existing PV systems or by adding safety features to new installations.

The TS4-A-F complies with NEC 2017 & 2020 690.12 Rapid Shutdown specifications when installed with the Tigo RSS Transmitter or an inverter with built-in Tigo certified transmitter.

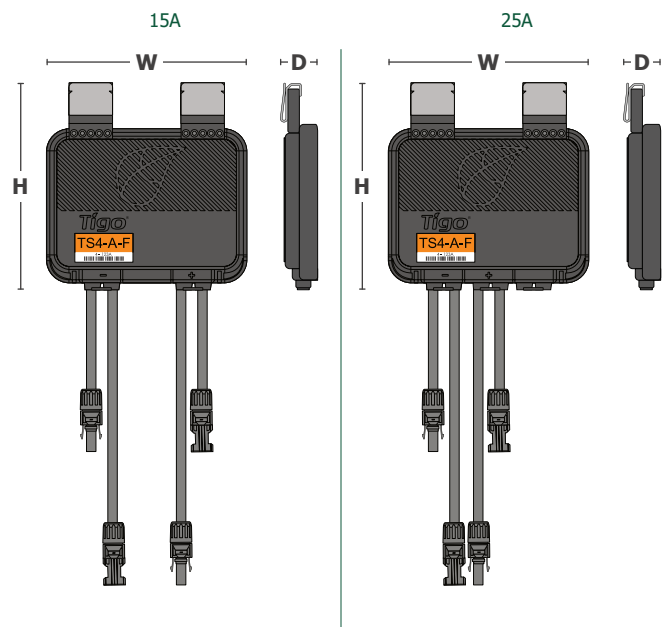
### Features

- High input current rating**  
 Now rated for 20A Imp/ 25A Isc to better accommodate bifacial and high current modules
- Simple, Fast Installation**  
 Snap to standard PV module frame or remove clips for rack mounting
- PLC Signaling**  
 Rapid shutdown signaling over PV conductors
- Automatic Shutdown**  
 PV array enters rapid shutdown in the event of AC grid loss
- PVRSS Certified**  
 Tested and UL certified with hundreds of top inverter models

### Quick Specs

TS4-A-F	
Dimensions (W x H x D)	138.4 x 139.7 x 22.9mm (5.9 x 5.5 x 0.9in)
Weight	490g (1.1lbs)
Max Current (Imp/Isc)*	15A                      20A/25A
Max Wattage	700W

\*Use local codes/requirements to calculate maximum current.



Standard  
Warranty



NEC Rapid Shutdown  
Compliant

Electrical Data	15A	25A
Maximum input voltage	90V	80V
Operating voltage range <sup>1</sup>	16 - 90V	16 - 80V
Maximum input current (Isc)	N/A	25A
Maximum input current (Imp)	15A	20A
Maximum wattage	700W	700W

<sup>1</sup>Maximum output voltage of the TS4 is dependent on the PV module voltage. Refer to PV modules nameplate.

## Connections

Module Conductor lengths	0.12m, 0.62m, options available <sup>2</sup>	0.62m, options available <sup>2</sup>
String Conductor lengths	1.2m, options available <sup>2</sup>	
Connectors	MC4, EVO2, options available <sup>2</sup>	

<sup>2</sup>Contact sales for additional connector and conductor length options. MOQ may apply.

## General Data

Operating temperature range	<b>UL:</b> -30°C to +75°C (-22°F to +167°F) <b>IEC:</b> -40°C to +85°C (-40°F to +185°F)	<b>UL/IEC:</b> -40°C to +80°C (-40°F to +176°F)
Storage temperature range	-40°C to +85°C (-40°F to +185°F)	-40°C to +85°C (-40°F to +185°F)
Recommended fuse rating	20A	30A
Outdoor rating	IP68, NEMA 3R	IP68
Maximum altitude	2000m	3000m
Efficiency	99.6%	99.9%
Communication	PLC	
Rapid Shutdown UL Listed (NEC 2017 & 2020 690.12)	Yes	
Rapid Shutdown Time Limit	30 secs or less <sup>3</sup>	
Conductor AWG Range	10-12 AWG	
PVRSE Controlled Conductors	≤30 Vdc, ≤240VA, ≤8A <sup>3</sup>	

<sup>3</sup>Limits are based on NEC 690.12 rapid shutdown requirements.

## Warranty

25 years

## Ordering Information

		UL/IEC	IEC
459-00252-32	TS4-A-F, 15A, 700W, 1500V UL / 1000V IEC, 1.2m Cable, MC4		•
459-00252-62	TS4-A-F, 15A, 700W, 1500V UL / 1000V IEC, 0.62/1.2m Cable, MC4		•
459-00261-32	TS4-A-F, 15A, 700W, 1500V UL / IEC, 1.2m Cable, EVO2		•
459-00261-62	TS4-A-F, 15A, 700W, 1500V UL / IEC, 0.62/1.2m Cable, EVO2		•
486-00252-32	TS4-A-F, 25A, 700W, 1500V UL / 1000V IEC, 0.12/1.2m Cable, MC4		•
486-00252-62	TS4-A-F, 25A, 700W, 1500V UL / 1000V IEC, 0.62/1.2m Cable, MC4		•
486-00261-32	TS4-A-F, 25A, 700W, 1500V UL / IEC, 0.12/1.2m Cable, EVO2		•
486-00261-62	TS4-A-F, 25A, 700W, 1500V UL / IEC, 0.62/1.2m Cable, EVO2		•
488-00252-32	TS4-A-F, 25A, 700W, 1000V IEC, 0.12/1.2m Cable, MC4		•
488-00252-62	TS4-A-F, 25A, 700W, 1000V IEC, 0.62/1.2m Cable, MC4		•
488-00261-32	TS4-A-F, 25A, 700W, 1500V IEC, 0.12/1.2m Cable, EVO2		•
488-00261-62	TS4-A-F, 25A, 700W, 1500V IEC, 0.62/1.2m Cable, EVO2		•

## Certifications

UL1741, PVRSS, CSA22.2, IEC 62109

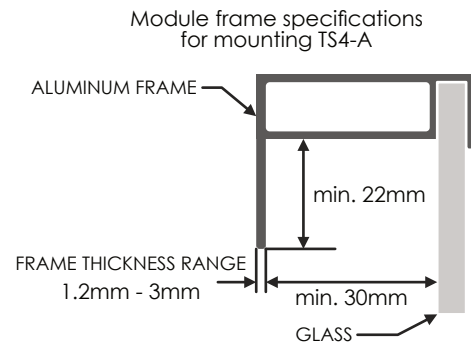


Photovoltaic Rapid Shutdown System Equipment, QJW

## PVRSS certified inverters

For a list of all PVRSS certified inverters, please see: [www.tigoenergy.com/ul-pvrss](http://www.tigoenergy.com/ul-pvrss)

## Module mounting requirements



## Additional resources



Tigo TS4-A-F



Tigo RSS



Support



Community